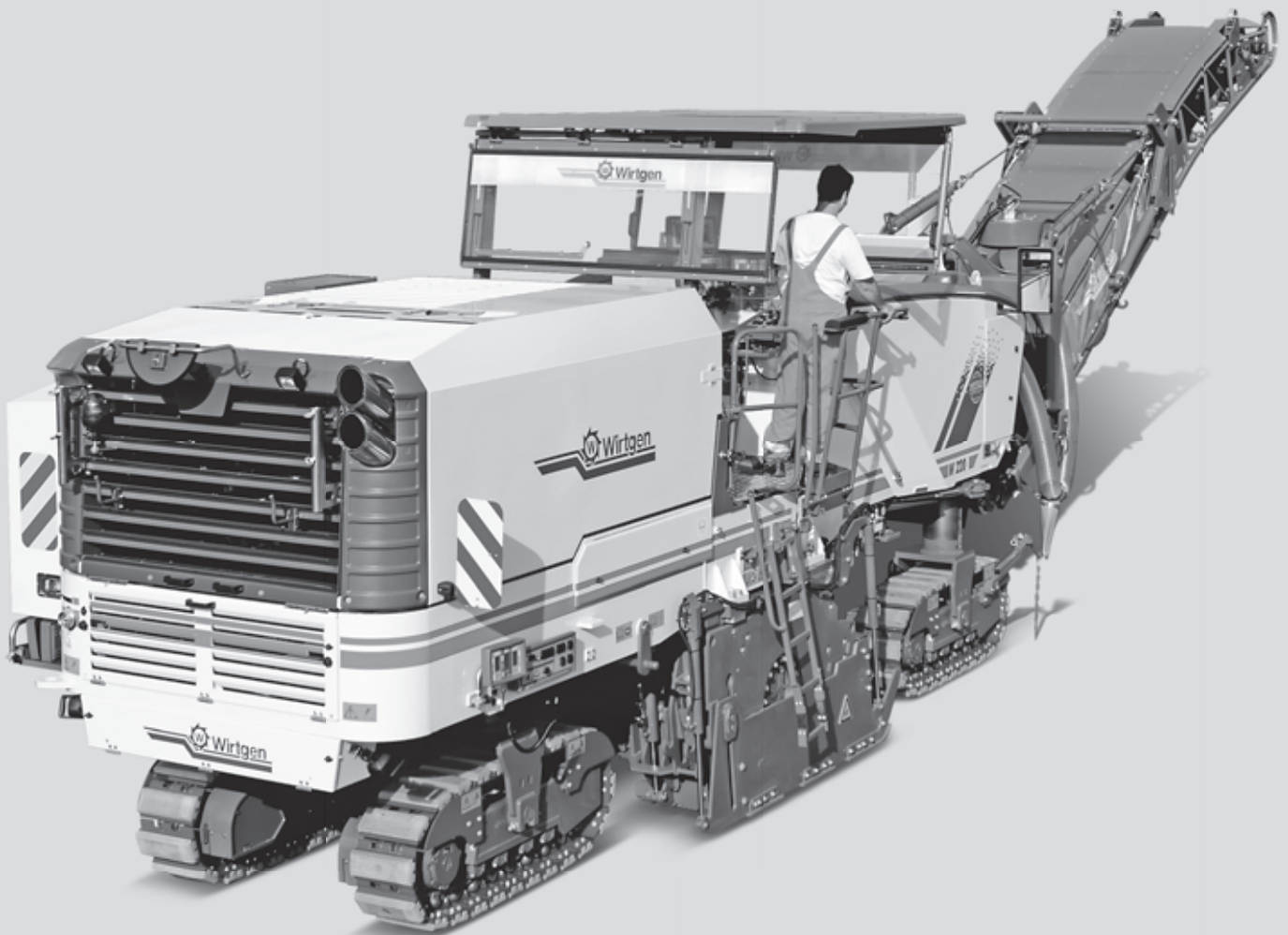




Technical specification

Cold Milling Machine W 220

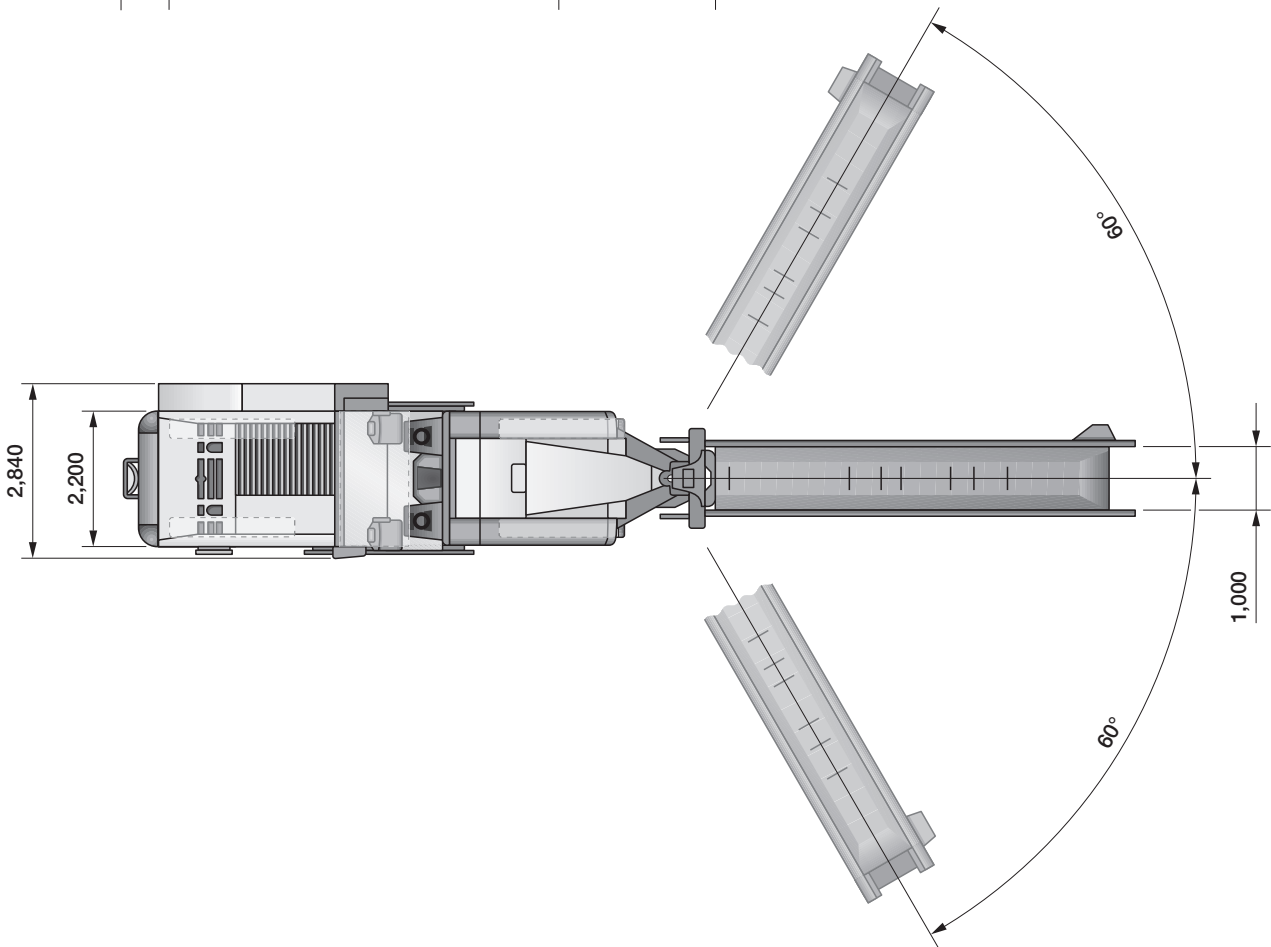
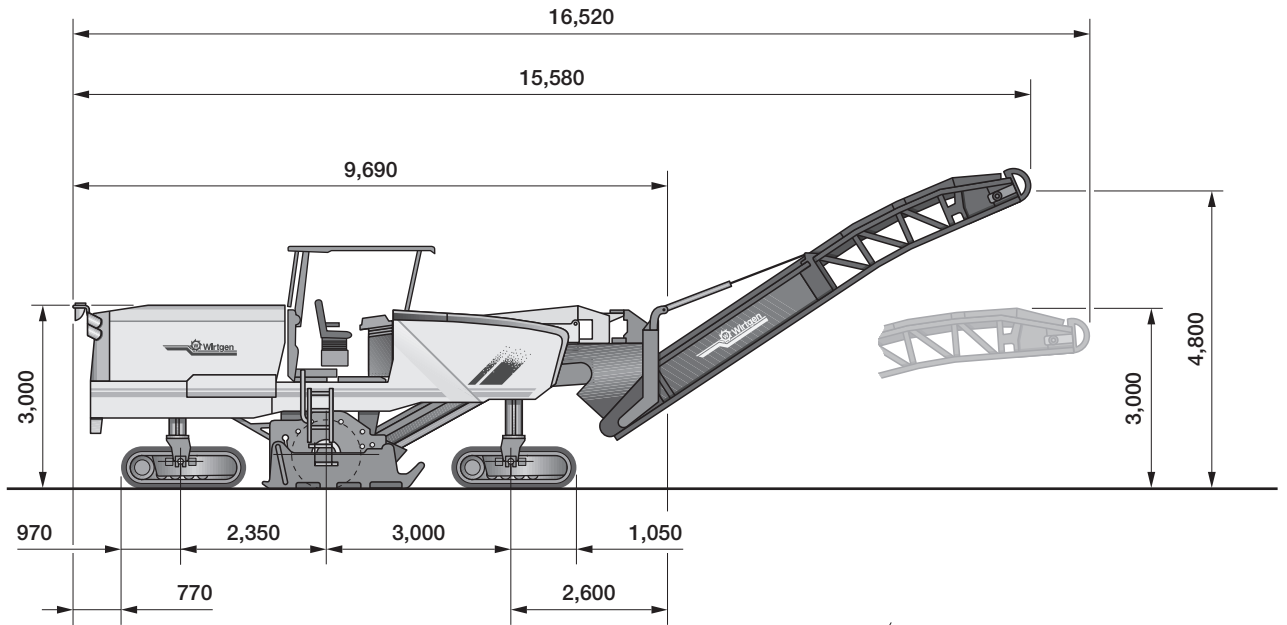


Technical specification

	Cold milling machine W 220	
Milling drum	Standard FB 2,200	Option FB 2,500
Milling width	2,200 mm	2,500 mm
Milling depth *1	0-350 mm	0-350 mm
Tool spacing	15 mm	15 mm
Number of tools	188	211
Drum diameter with tools	1,140 mm	1,140 mm
Engine		
Manufacturer	Caterpillar	
Type	C18 ATAAC	
Cooling	Water	
Number of cylinders	6	
Rated power at 2,100 min ⁻¹	571 kW/766 HP/777 PS	
Maximum power at 1,800 min ⁻¹	571 kW/766 HP/777 PS	
Operating power at 1,600 min ⁻¹	552 kW/740 HP/751 PS	
Displacement	18.1 l	
Fuel consumption at rated power	142 l/h	
Fuel consumption in field mix	57 l/h	
Emission standards	no EU regulation/US Tier 2	
Electrical system	24 V	
Filling capacities		
Fuel tank	1,460 l	
Hydraulic fluid tank	300 l	
Water tank	4,500 l	
Driving properties		
Travel speed in milling and travel gear, max	0-88 m/min (5.3 km/h)	
Crawler tracks		
Crawler tracks front and rear (L x W x H)	2,000 x 370 x 750 mm	
Loading the milled material		
Belt width of primary conveyor	1,100 mm	
Belt width of discharge conveyor	1,000 mm	
Theoretical capacity of discharge conveyor	552 m ³ /h	
Shipping dimensions		
Machine, milling width FB 2,200 (L x W x H)	9,700 x 2,840 x 3,000 mm	
Machine, milling width FB 2,500 (L x W x H)	9,700 x 3,140 x 3,000 mm	
Discharge conveyor (L x W x H)	8,150 x 1,600 x 1,500 mm	

*1 = The maximum milling depth may deviate from the value indicated, due to tolerances and wear.

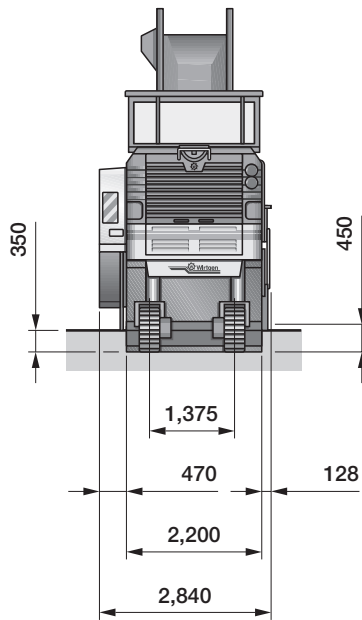
Dimensions in mm



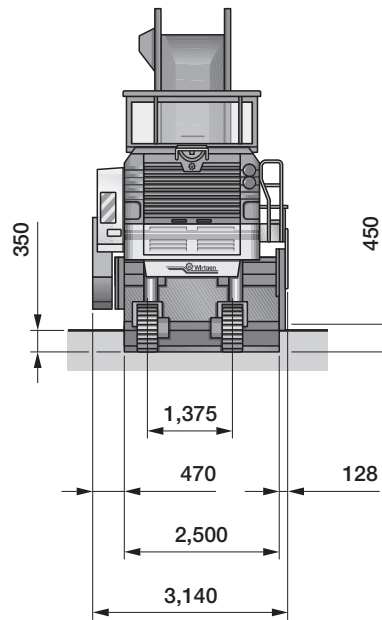
	Machine weights W 220
Empty weight of machine without filling media	33,400 kg
Operating weight, CE *	36,360 kg
Operating weight, max. (full tanks, full range of equipment), milling width 2,200 mm	44,220 kg
	Weights of filling media
Water tank filling in kg	4,500 kg
Diesel tank filling in kg (0.83 kg/l)	1,210 kg
	Optional equipment features increasing/ reducing empty weight
Driver and tools	
Driver	75 kg
Weight of 5 cutting tool containers	125 kg
On-board tools	30 kg
Optional milling drum assemblies in lieu of standard	
Milling drum housing, milling width 2,200 mm, FCS-L	1,320 kg
Milling drum housing, milling width 2,200 mm, extendible	530 kg
Milling drum housing, milling width 2,500 mm	1,040 kg
Optional milling drums in lieu of standard	
Milling drum, milling width 2,200 mm, tool spacing 15, extendible	320 kg
Milling drum, milling width 2,500 mm, tool spacing 15	730 kg
Milling drum, milling width 2,200 mm, tool spacing 6x2, FCS-L	490 kg
Milling drum, milling width 2,200 mm, tool spacing 8, FCS-L	740 kg
Milling drum, milling width 2,200 mm, tool spacing 15, FCS-L	-120 kg
Milling drum, milling width 2,200 mm, tool spacing 25, FCS-L	-410 kg
Optional additional equipment	
Operator's platform with comfortable seats in lieu of standard	250 kg
Canopy in lieu of standard	270 kg
Cabin in lieu of standard	600 kg
Folding conveyor in lieu of standard	570 kg
VCS – Vacuum Cutting System	150 kg
Supplementary weight for flexible use	1,500 kg

* = weight of machine with half-full water tank, half-full fuel tank, driver (75 kg) and on-board tools

Rear view
Dimensions in mm

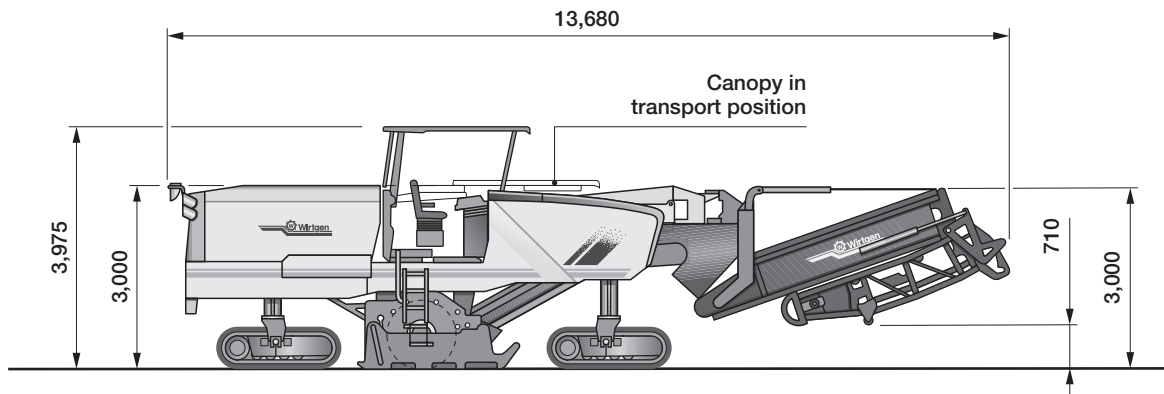


Milling width 2,200 mm

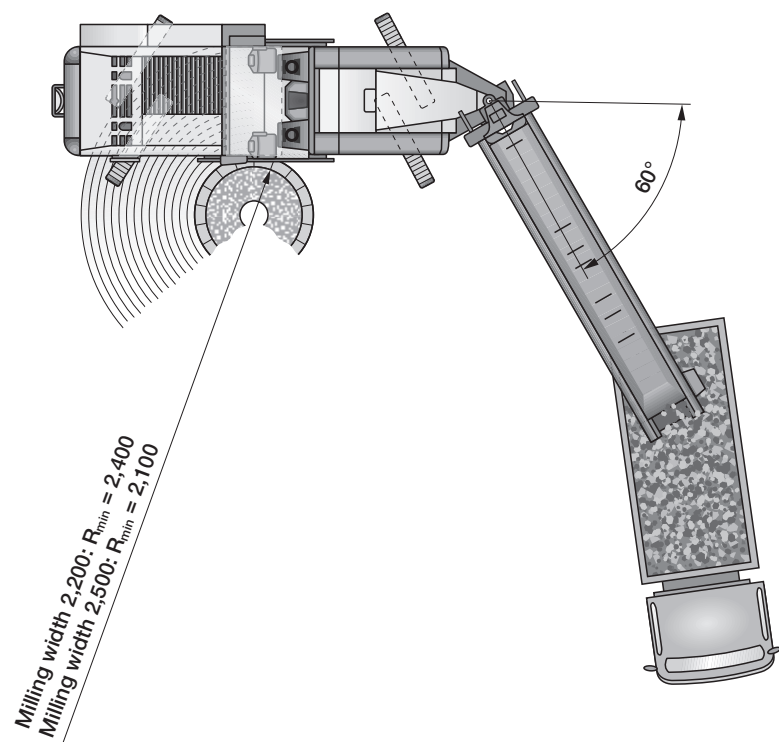
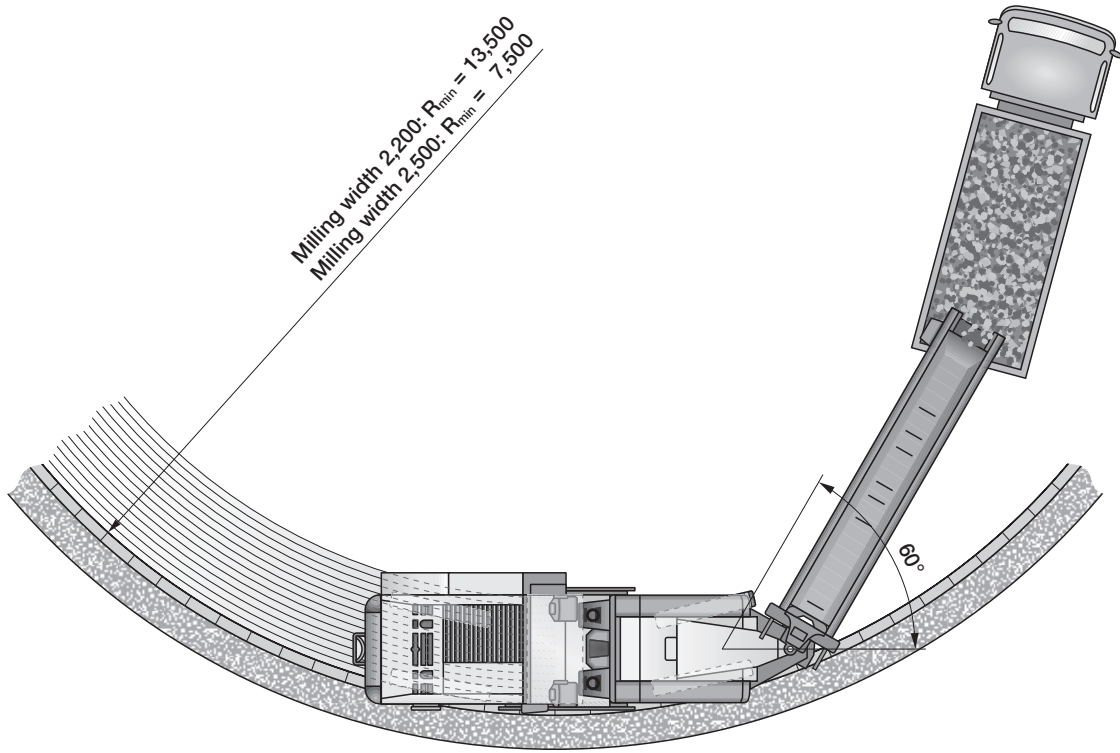


Milling width 2,500 mm

Machine transport with optional canopy and hydraulic folding conveyor
Dimensions in mm



Milling radius, 150 mm milling depth
Dimensions in mm



Equipment features of cold milling machine W 220

Standard equipment:

Basic machine with engine

- Machine frame with dual wasp waist
- Hydraulically opening, soundproof engine cowling
- Engine cooling system with temperature-governed fan speed
- Air compressor system
- Automatically engaging high-pressure water system, 18 bar, 67 l/min
- Battery-operated hydraulic module for emergency functions
- Large storage compartments for cutting tool containers
- Standard painting in Wirtgen white with orange stripes

Milling drum housing

- Milling drum housing for milling width 2,000 mm without FCS features
- Three electrically engageable milling drum speeds 105 1/min – 94 1/min – 84 1/min
- Hydraulically movable and adjustable scraper blade with automatic locking function
- Hydraulically lifting side plates, clearance right 450 mm, clearance left 350 mm
- Two separately engageable water spray bars in the milling drum assembly

Milling drums

- Milling drum, milling width 2,200 mm, HT11, tool spacing LA15
- Multiple-use ejector system

Loading of milled material

- Discharge conveyor without folding design
- Conveyor system with manually or automatically adjustable conveying speed
- Water spray system at primary conveyor
- Discharge conveyor slewing angle 60° to the left and right

Machine and levelling control

- Clearly structured main control panel with functional switches
- Multifunctional control screen with integrated display of major machine operation parameters
- Multifunctional truck loading indicator integrated in control screen
- Comprehensive machine diagnostics indicator integrated in control screen
- Automatically engaging milling power control unit
- Two exterior control panels for operation by ground staff
- Digital electric height indicator
- Pre-installation for up to 7 levelling sensors per machine side

Operator's platform

- Fully anti-vibration mounted operator's platform
- Convenient, individually adjustable control panel
- Convenient access to operator's platform, left and right
- Stand-up seat, left and right
- Lockable control panel covers
- Two mirrors at the front, one mirror at the centre, one mirror at the rear of the machine

Chassis and height adjustment

- PTS - machine is automatically aligned parallel to the pavement surface
- ISC - intelligent track speed control with hydraulic four-track drive
- High machine stability through four-fold full-floating axle
- Four-track steering with freely selectable steering modes
- Extremely wear-resistant, two-piece EPS polyurethane track pads

Miscellaneous

- Lighting package with 9 halogen working lights and 4 LED working lights
- Comprehensive toolkit in lockable toolbox
- Comprehensive safety package with 6 emergency stop switches
- European design type certification, GS mark (Geprüfte Sicherheit = Tested Safety) and CE conformity
- Warranty of 12 months or 1,000 engine operating hours
- Machine commissioning by qualified personnel

Optional equipment:

Basic machine with engine

- Special painting in one, two or several colours
- Bolt-on supplementary weight, 1,500 kg
- Bolt-on, large additional storage compartment
- Electrically operated diesel tank filling pump
- Hydraulically operated water tank filling pump
- Hydraulically operated high-pressure water cleaner, 15 l/min, 150 bar

Milling drum housing

- Milling drum housing for milling width 2,200 mm, FCS-Light
- Milling drum housing for milling width 2,200 mm, extendible in FCS design
- Milling drum housing for milling width 2,500 mm in FCS design
- Drum turning device for cutting tool replacement
- Pneumatic cutting tool driver and extractor
- Electro-hydraulically operated cutting tool extractor
- Fold-out additional seats at the rear crawler tracks for cutting tool replacement

Milling drums

- FCS-L milling drum, milling width 2,200 mm, HT11, tool spacing 8 mm
- FCS-L milling drum, milling width 2,200 mm, HT11, tool spacing 25 mm
- FCS-L fine milling drum, milling width 2,200 mm, HT5, tool spacing 6x2 mm
- Milling drum, milling width 2,500 mm, HT11, tool spacing 15 mm

Loading of milled material

- Hydraulically folding discharge conveyor
- VCS – Vacuum Cutting System
- Conveyor support legs for machine transport

Machine and levelling control

- LEVEL PRO automatic levelling system including control panel and hydraulically integrated milling depth sensor at the edge protectors, left and right
- Additional LEVEL PRO control panels
- Slope sensor
- Sensor for hydraulic scanning of the milling depth in front of the milling drum, right
- Sensor for hydraulic scanning of the milling depth in front of the milling drum, left and right
- Multiplex sensors with two additional ultrasonic sensors including bracket and cable in 3-fold Multiplex system package, right
- Multiplex sensors with two additional ultrasonic sensors including bracket and cable in 3-fold Multiplex system package, left and right
- Receiving sensor for level control by laser (excluding transmitter)
- Levelling system with laser sensor technology to permit scanning up to 4 m to the side of the machine
- Sonic ski sensor for scanning a stringline
- Pre-installation for 3D GPS levelling including receiver mast
- Data interface with data transmission in accordance with WIFMS
- Milling depth detection and display on the LEVEL PRO screen
- Screen system including 2 cameras and display on control screen
- Screen system including 4 additional cameras and display on additional screen

Operator's platform

- Operator's platform with individually adjustable, comfortable driver's seats, left and right
- Operator's cabin as part of the "Operator Comfort System"
- Operator's platform heating by conducting warm air into the footwell area
- Complete set of fold-in mirrors, partly electric, with stop-and-go indicator
- Hydraulically retracting protective canopy

Miscellaneous

- Lighting package with 3 halogen spotlights and 6 Xenon spotlights as well as 4 LED working lights
- Hydraulically operated electrical generator with a capacity of 4 kW at 220 volts
- Hydraulically operated electrical generator with a capacity of 4 kW at 110 volts
- Lighting balloon, 2 kW operated at 220 volts
- Lighting balloon, 2 kW operated at 110 volts



Wirtgen GmbH
Reinhard-Wirtgen-Strasse 2 · 53578 Windhagen · Germany
Phone: +49 (0) 26 45/131-0 · Fax: +49 (0) 26 45/131-242
Internet: www.wirtgen.com · E-Mail: info@wirtgen.com